

CITO UNGUATOR® e/s

Quick Start Guide

Mixing unit, Preparation:

- The **mixing unit** consists of the Unguator® push-up jar, mixing blade and ingredients
- Remove main lid from Unguator® jar, remove small white lid from main lid
- Push main lid over mixing blade shaft, push down bottom of the jar
- Weigh in mixing ingredients
- Screw on lid with mixing blade, standard or disposable, loosely to the jar
- Push up bottom from the jar to eliminate air
- Screw main lid on to jar firmly – mixing unit is now ready for mixing

Initial use of the machine

- After storage of machines in a cold environment and initial use, machines should be kept at room temperature prior to its use, in order to prevent malfunction due to condensed water.
- Important Security advice (please check instruction manual)
- Start Unguator® device with on/off switch on back of machine

Operation mode “Auto” (Mixing unit is moved up and down by lifting arm)

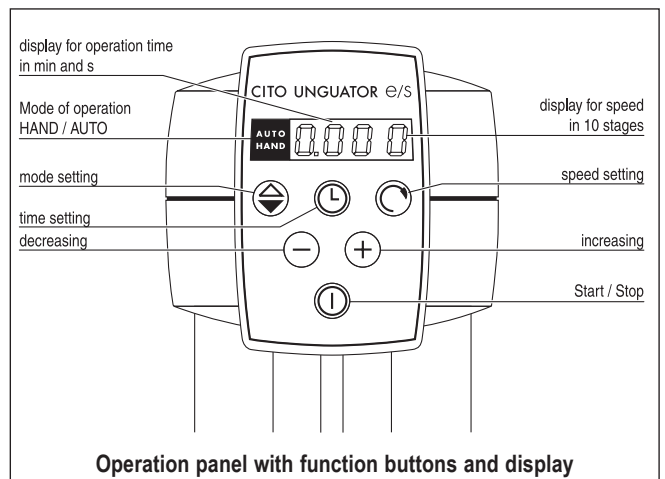
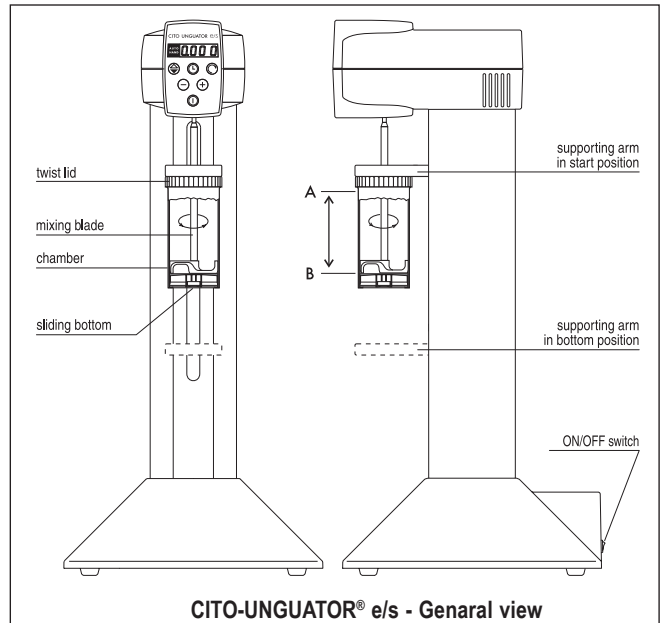
- Check operation “Auto” mode setting on *Auto/Hand* button
- Lifting arm moves in “Start” position
- Regulate rpm (Level 0...9) with buttons “+” and “-”, as well as mixing time (0:05...9.55 min) with buttons “+” and “-”
- Screw mixing unit to the bottom of lifting arm
- Press “START” button
- Mixing blade will be locked in the head of the machine and mixing process starts
- After the mixing cycle is finished, the lifting arm moves to the lower position (blade right under the lid), free spin process starts (3 seconds at FSL) to clean off the blade

Operation mode “Hand” (Mixing unit operated manually):

- Check operation “Hand” mode setting on *Auto/Hand* switch
- Lifting arm moves in lowest position
- Regulate rpm (Level 0...9) with buttons “+” and “-”, as well as mixing time (0:05...9.55 min) with buttons “+” and “-”
- Move the mixing unit, from down below, up vertically into the head of the machine
- Press “START” button, mixing process begins
- Move Unguator® jar up and down at a constant speed in ¼ - ½ second intervals
- If Free spin is desired:
 - Before the mixing process is finished, press START/STOP button – Display shows: “FSLA”
 - Slightly unscrew the lid and push up bottom of the jar
 - Press “START” button, move jar down (mixing blade right under lid)
- After the Free spin, the display shows the total mixing time for 3 seconds

Finish mixing process:

- Remove the mixing unit with a slight left rotation from the machine (manual mode) or screw off the lifting arm
- Remove lid, remove mixing blade, control the finished product inside the jar, screw on lid loosely to close jar
- Before firmly screwing on the lid, push up bottom of jar in order to diminish air from the jar
- Turn machine off with “ON/OFF” switch



Accessories:

